

# Removal and installation of instrument panel lower body assembly

## Remove

---

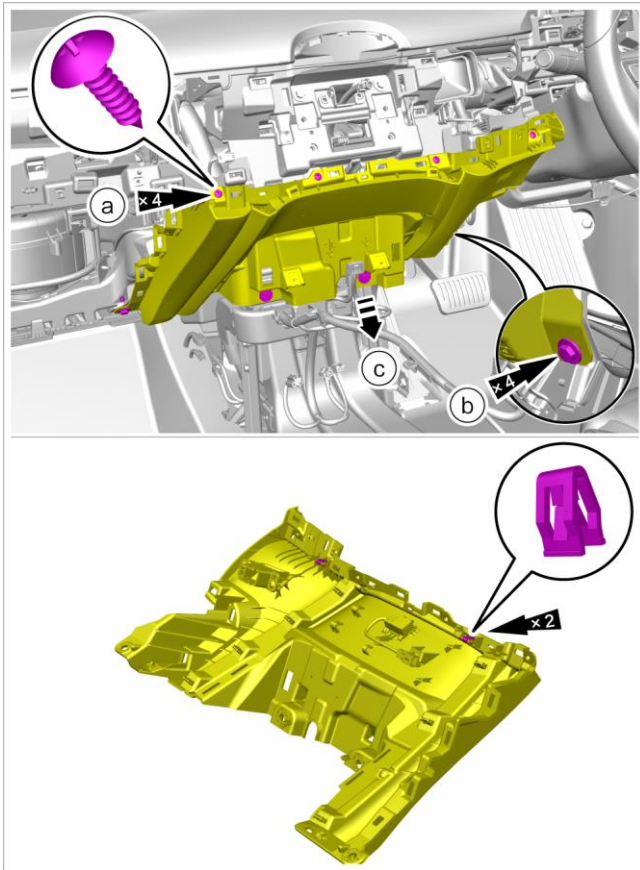
1. Remove the lower right shield assembly of instrument panel. Refer to [Removal and installation of right lower shield assembly of instrument panel](#)
2. Remove the driver knee airbag module. Refer to [Removal and installation of driver knee airbag module](#)
3. Remove the glove box mounting base assembly. Refer to [Removal and installation of glove box mounting base assembly](#)
4. Remove the left trim panel assembly of instrument panel. Refer to [Removal and installation of left trim panel assembly of instrument panel](#)
5. Remove the auxiliary instrument panel body assembly. Refer to [Removal and installation of auxiliary instrument panel body assembly](#)
6. Remove the instrument panel lower body assembly.
  - a. Remove 4 fixing screws.
  - b. Remove 4 fixing bolts.
    -

Tightening torque: 4 N•m

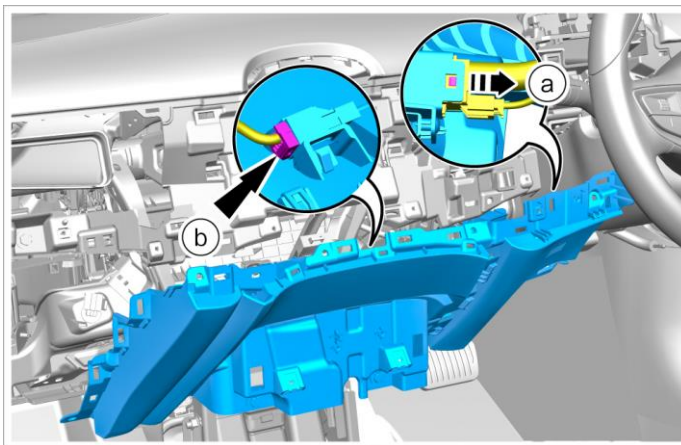
- c. Detach the instrument panel lower body assembly from the instrument panel upper body assembly.

### Caution

Do not apply excessive force during removal to prevent damage to connectors.



- 7.
8. Remove the instrument panel lower body assembly.
  - a. Press the lock catch and detach the return air duct assembly.
  - b. Disconnect 1 connector and take out the instrument panel lower body assembly.



## Install

---

1. Install it in the reverse order of removal.