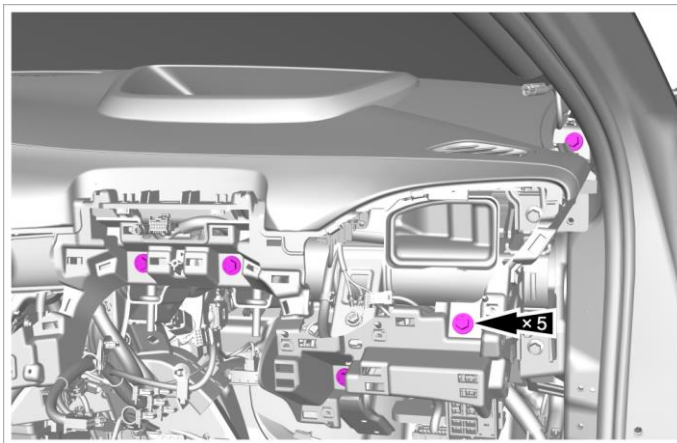


Removal and installation of instrument panel upper body assembly

Remove [3D animation demonstration](#)

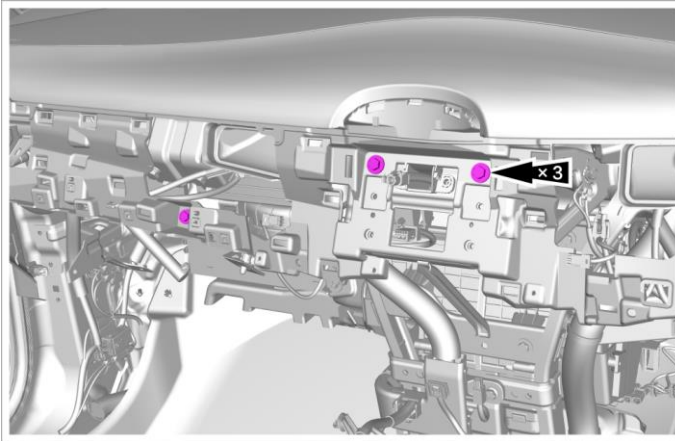
1. Remove the center speaker. Refer to [Removal and installation of center speaker](#)
2. Remove the left A-pillar upper shield assembly. Refer to [Removal and installation of left A-pillar upper shield assembly](#) Removal and installation of left A-pillar upper shield assembly
3. Remove the right A-pillar upper shield assembly. Refer to [Removal and installation of right A-pillar upper shield assembly](#) Removal and installation of right A-pillar upper shield assembly
4. Remove the auxiliary instrument panel body assembly. Refer to [Removal and installation of auxiliary instrument panel body assembly](#) Removal and installation of auxiliary instrument panel body assembly
5. Remove the instrument panel lower body assembly. Refer to [Removal and installation of instrument panel lower body assembly](#) Removal and installation of instrument panel lower body assembly
6. Remove the steering column and universal joint assembly. Refer to [Removal and installation of steering column and universal joint assembly](#) Removal and installation of steering column and universal joint assembly
7. Remove the right trim panel assembly of instrument panel. Refer to [Removal and installation of right trim panel assembly of instrument panel](#) Removal and installation of right trim panel assembly of instrument panel
8. Remove the display screen bracket assembly. Refer to [Removal and installation of display screen bracket assembly](#)
9. Remove 5 fixing bolts on the right side of instrument panel upper body assembly.

Tightening torque: 4 N•m



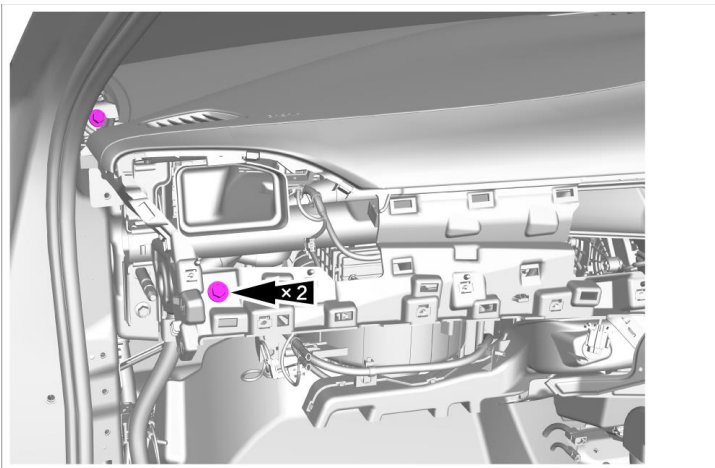
- 10.
11. Remove 3 fixing bolts in the middle of instrument panel upper body assembly.

Tightening torque: 4 N•m

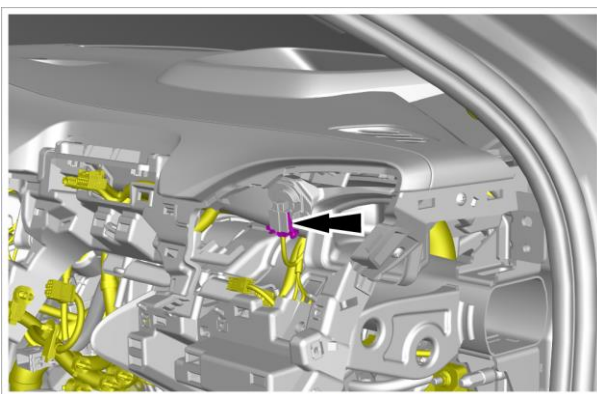


- 12.
13. Remove 2 fixing bolts on the left side of instrument panel upper body assembly.
 -

Tightening torque: 4 N•m

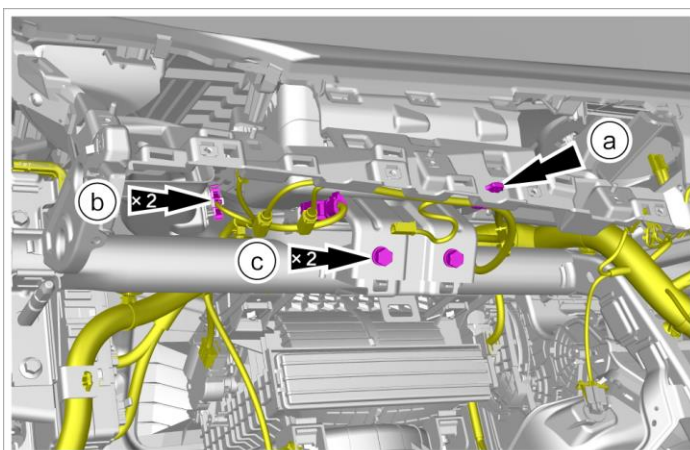


- 14.
15. Disconnect 1 connector from the right channel temperature sensor assembly of instrument panel upper body assembly.

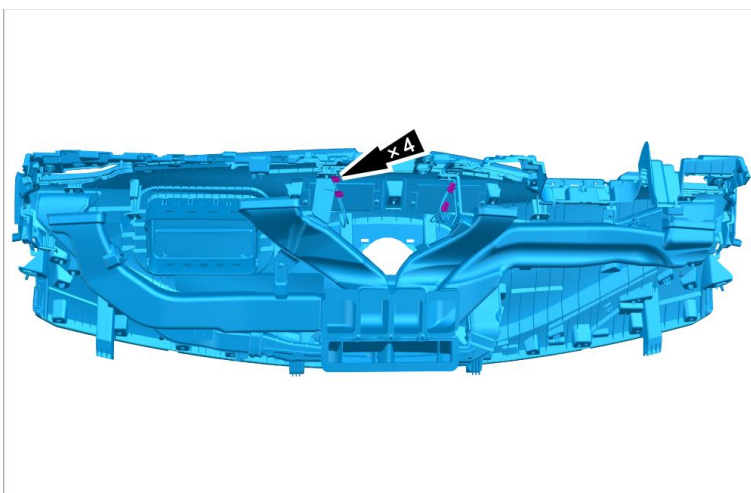


16. Disconnect the front passenger airbag module from the left channel temperature sensor assembly of instrument panel upper body assembly.
 - a. Detach 1 wiring harness fixing clip.
 - b. Disconnect 2 connectors.
 - c. Remove 2 fixing bolts.
 -

Tightening torque: 20 N•m



- 17.
18. Disconnect 4 connectors from the instrument panel upper body assembly.



19. Take out the instrument panel upper body assembly.

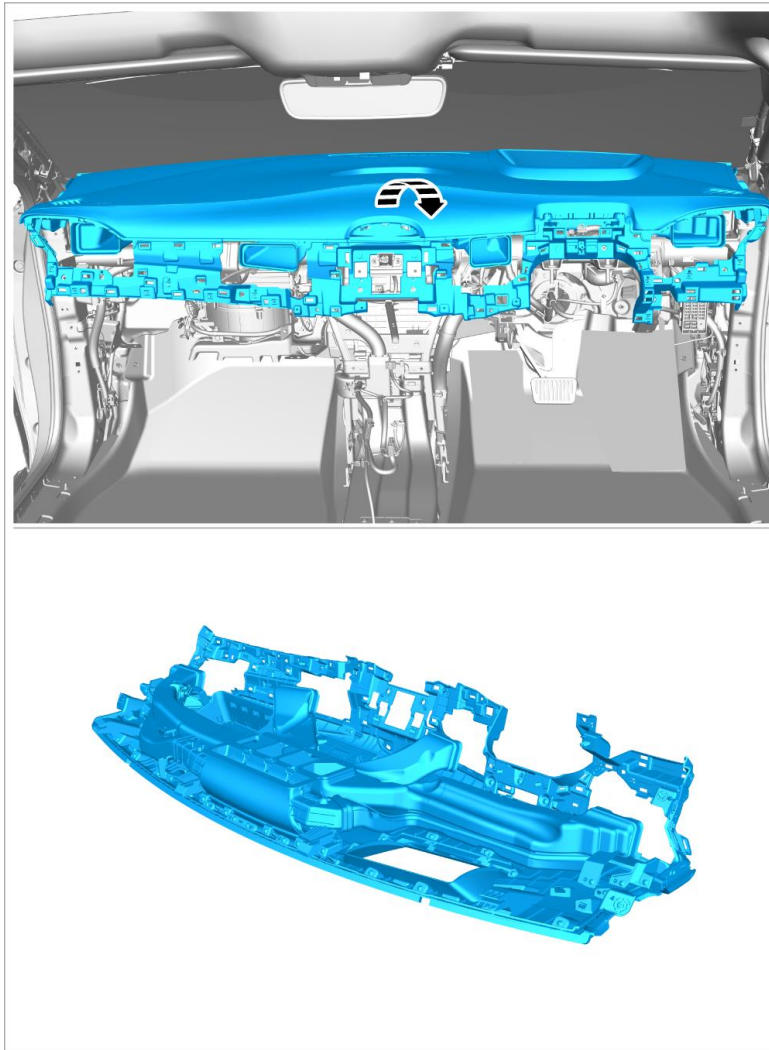
Caution

○

Remove the instrument panel upper body assembly with the assistance of another maintenance technician.

○

When taking out the instrument panel upper body assembly, take care to avoid scratching the interior trim panel.



20. To replace the instrument panel upper body assembly, remove the following accessories from it:

○

Remove the front passenger airbag module. Refer to [Removal and installation of front passenger airbag module](#) Removal and installation of front passenger airbag module

○

Remove the eCall4G GPS antenna. Refer to [Removal and installation of eCall4G GPS antenna](#)

○

Remove the 4G Wi-Fi BT GPS antenna. Refer to [Removal and installation of 4G Wi-Fi BT GPS antenna](#)

Install

Caution

Install the instrument panel upper body assembly with the assistance of another maintenance technician.

1. Install it in the reverse order of removal.