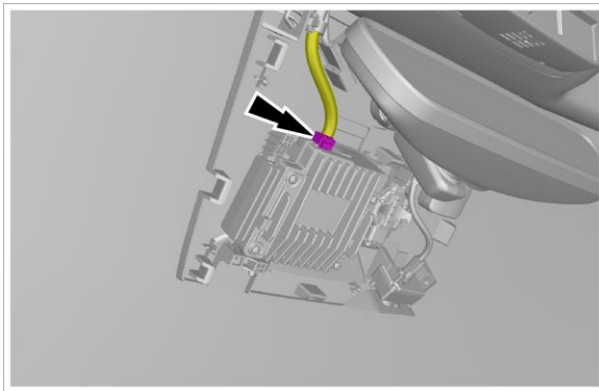


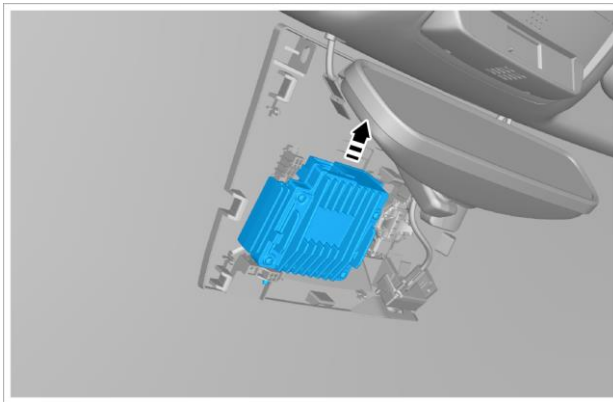
Removal and installation of multi-purpose camera assembly

Remove [3D animation demonstration](#)

1. Power off the low-voltage electrical system. Refer to [Power-off and power-on of low-voltage electrical system](#) Power-off and power-on of low-voltage electrical system
2. Remove the lane departure warning system protection cover I. Refer to [Removal and installation of lane departure warning system protection cover I](#)
3. Disconnect 1 connector.



4. Remove the multi-purpose camera assembly.



Install

1. Install it in the reverse order of removal.

Reminder

○

After installation, make sure that all mounting points of the multi-purpose camera assembly are installed under the base spring and are not loose.

