

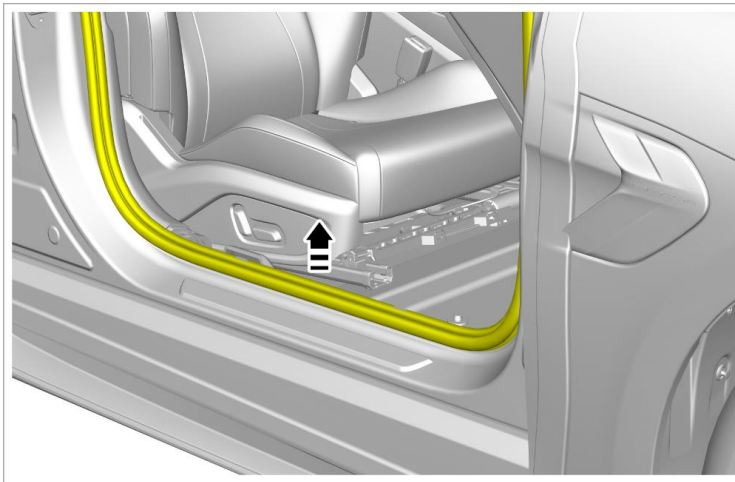
Removal and installation of right A-pillar lower shield assembly

Remove

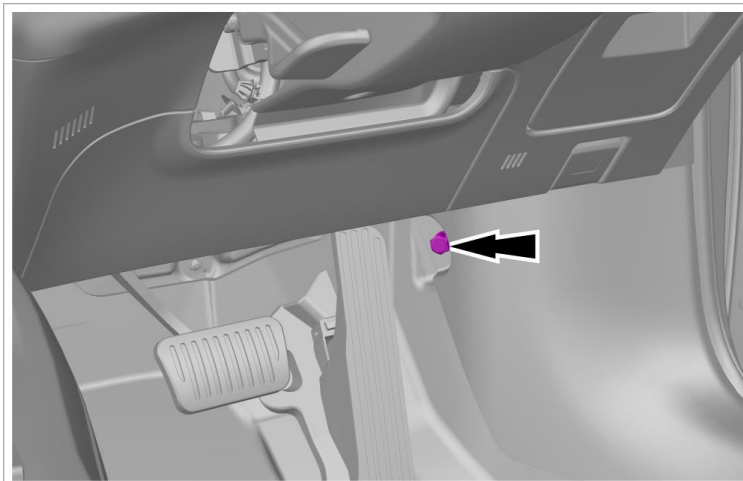
Caution

Be careful during the removal of trim panel to avoid scratching the surface material.

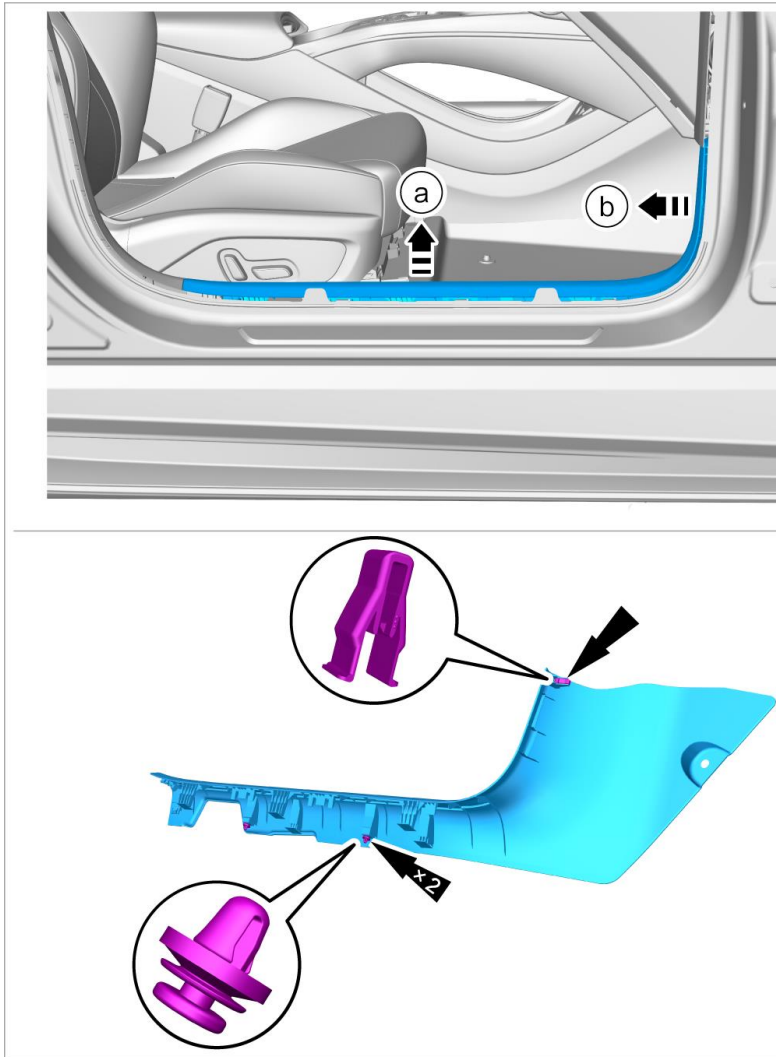
1. Detach the lower part of front right door frame sealing strip.



2. Remove 1 plastic nut from the right A-pillar lower shield assembly.



3. Remove the right A-pillar lower shield assembly.
 - a. Carefully pry it up with a plastic pry plate.
 - b. Take out the right A-pillar lower shield assembly.



Install

Caution

Before installation, check for any missing or damaged clips. If any, install a new clip.

1. Install it in the reverse order of removal.